
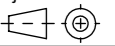
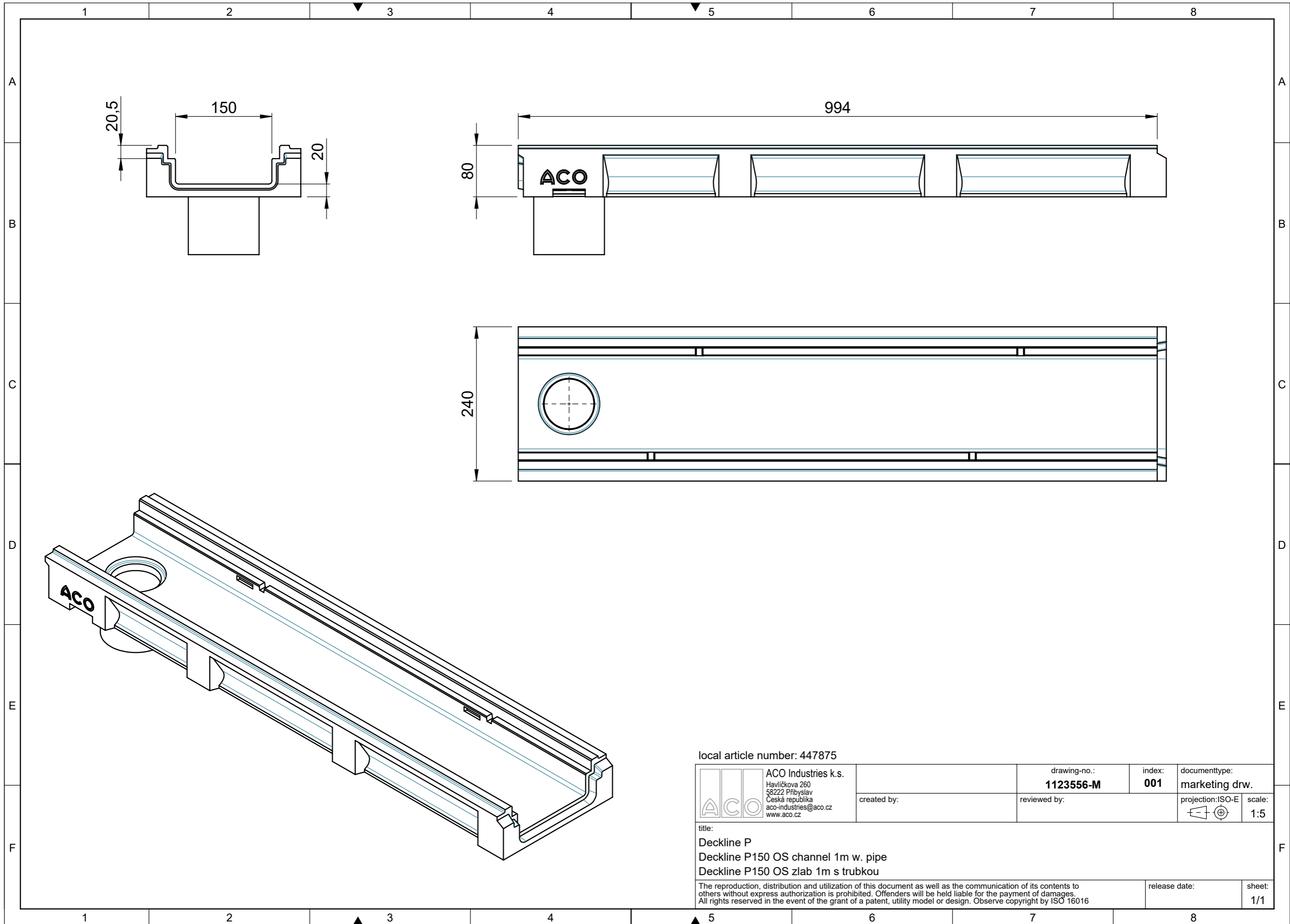


local article number: 447874

	ACO Industries k.s. Havlíčkova 260 58222 Příbyslav Česká republika aco-industries@aco.cz www.aco.cz	drawing-no.: 1123554-M	index: 001	documenttype: marketing drw.
	created by:	reviewed by:	projection: ISO-E 	scale: 1:5
title: Deckline P Deckline P150 OS channel 1m Deckline P150 OS zlab 1m		release date:		sheet: 1/1
The reproduction, distribution and utilization of this document as well as the communication of its contents to others without express authorization is prohibited. Offenders will be held liable for the payment of damages. All rights reserved in the event of the grant of a patent, utility model or design. Observe copyright by ISO 16016				

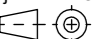


local article number: 447875


 ACO Industries k.s.
 Havlíčkova 260
 58222 Příbyslav
 Česká republika
 aco-industries@aco.cz
 www.aco.cz

drawing-no.:
1123556-M
 created by:

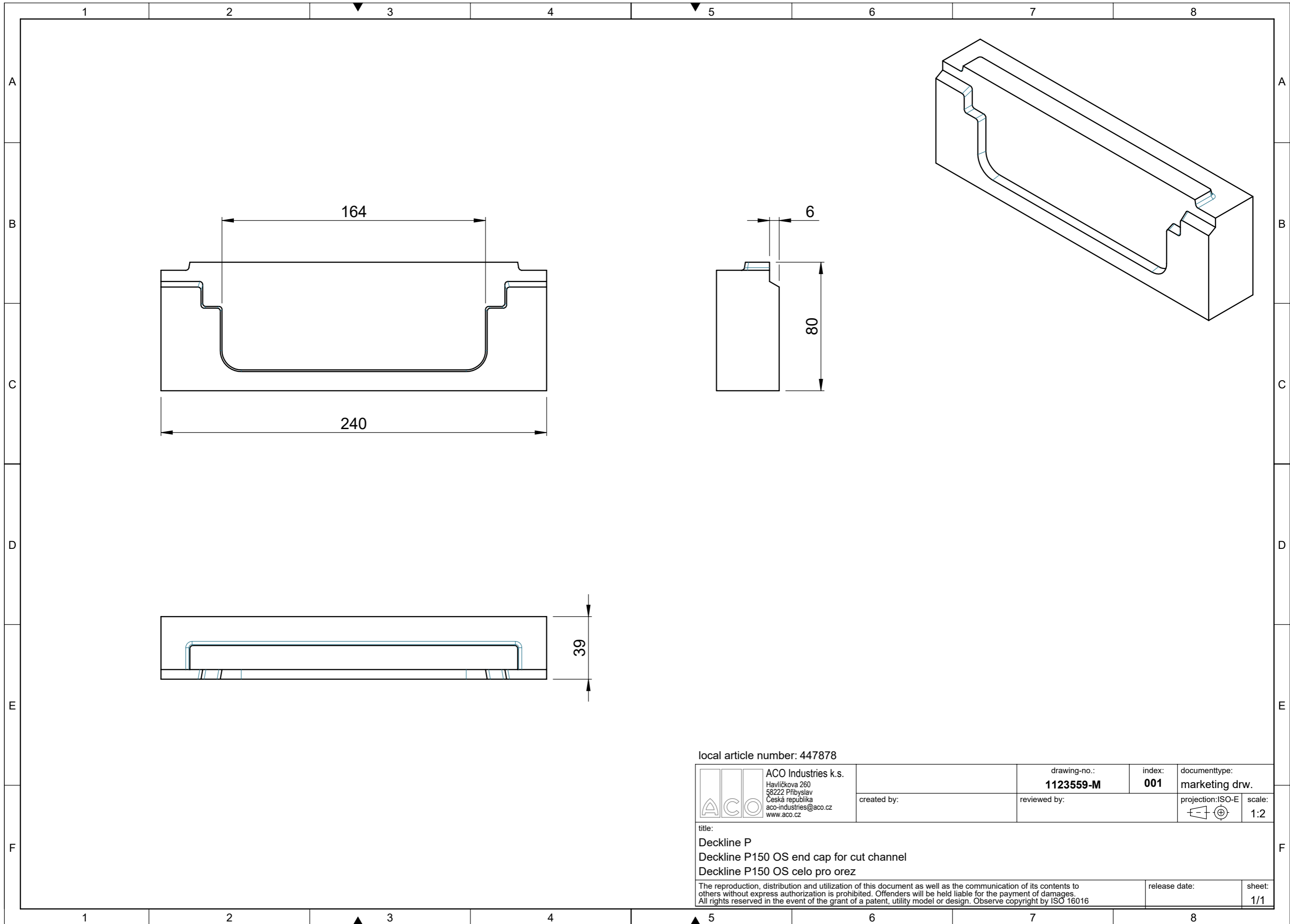
index:
001
 reviewed by:

documenttype:
marketing drw.
 projection: ISO-E

 scale:
1:5

title:
Deckline P
Deckline P150 OS channel 1m w. pipe
Deckline P150 OS zlab 1m s trubkou

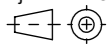
The reproduction, distribution and utilization of this document as well as the communication of its contents to others without express authorization is prohibited. Offenders will be held liable for the payment of damages. All rights reserved in the event of the grant of a patent, utility model or design. Observe copyright by ISO 16016

release date: sheet:
1/1



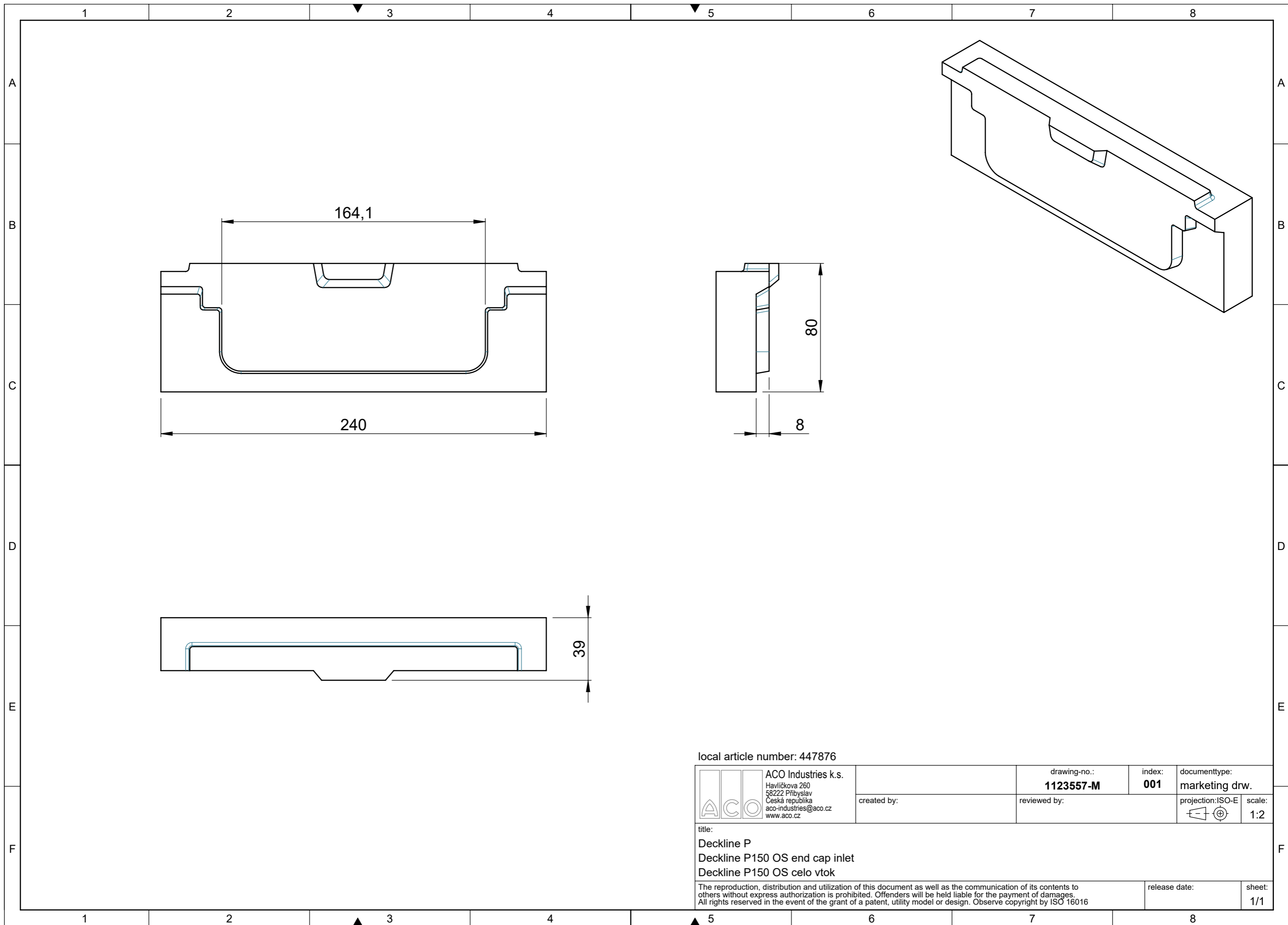
local article number: 447878


ACO Industries k.s.
 Havlíčkova 260
 58222 Příbyslav
 Česká republika
 aco-industries@aco.cz
 www.aco.cz

drawing-no.: 1123559-M	index: 001	documenttype: marketing drw.
created by:	reviewed by:	projection: ISO-E 
		scale: 1:2

title:
Deckline P
Deckline P150 OS end cap for cut channel
Deckline P150 OS celo pro orez

The reproduction, distribution and utilization of this document as well as the communication of its contents to others without express authorization is prohibited. Offenders will be held liable for the payment of damages. All rights reserved in the event of the grant of a patent, utility model or design. Observe copyright by ISO 16016	release date:	sheet: 1/1
--	---------------	----------------------



local article number: 447876

ACO ACO Industries k.s.
 Havlíčková 260
 58222 Příbyslav
 Česká republika
 aco-industries@aco.cz
 www.aco.cz

created by:

drawing-no.:
1123557-M

reviewed by:

index:
001

documenttype:
marketing drw.

projection: ISO-E
 scale:
1:2

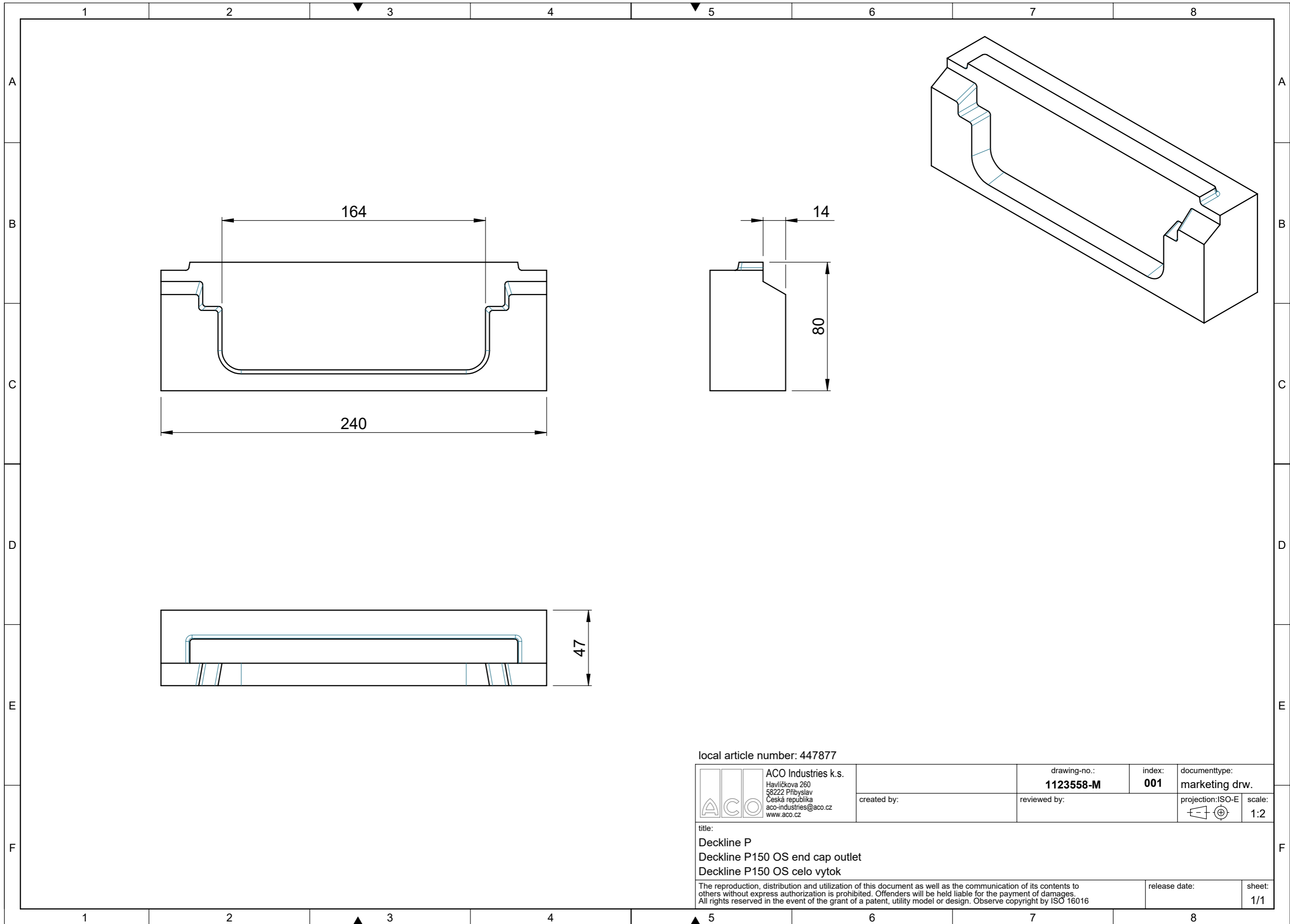
title:
Deckline P
Deckline P150 OS end cap inlet
Deckline P150 OS celo vtok

The reproduction, distribution and utilization of this document as well as the communication of its contents to others without express authorization is prohibited. Offenders will be held liable for the payment of damages. All rights reserved in the event of the grant of a patent, utility model or design. Observe copyright by ISO 16016

release date:

sheet:
1/1

S:\Produkty\2014\ACO Industries k.s. - Verze 1.6



local article number: 447877

ACO ACO Industries k.s.
 Havlíčkova 260
 58222 Příbyslav
 Česká republika
 aco-industries@aco.cz
 www.aco.cz

drawing-no.: 1123558-M	index: 001	documenttype: marketing drw.
created by:	reviewed by:	projection: ISO-E scale: 1:2

title:
Deckline P
Deckline P150 OS end cap outlet
Deckline P150 OS celo vytok

The reproduction, distribution and utilization of this document as well as the communication of its contents to others without express authorization is prohibited. Offenders will be held liable for the payment of damages. All rights reserved in the event of the grant of a patent, utility model or design. Observe copyright by ISO 16016

release date:	sheet: 1/1
---------------	---------------