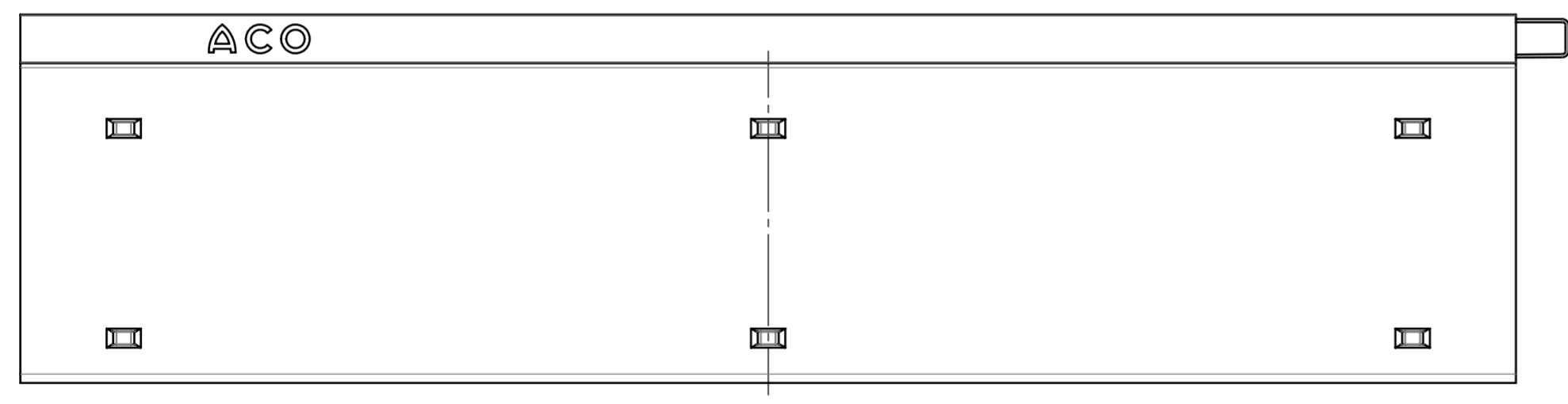
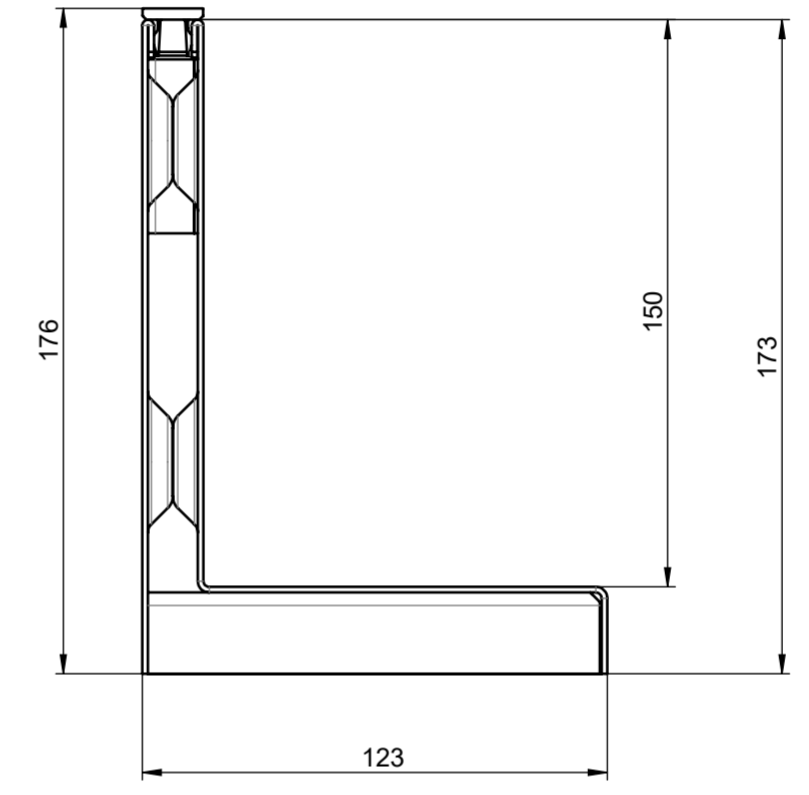
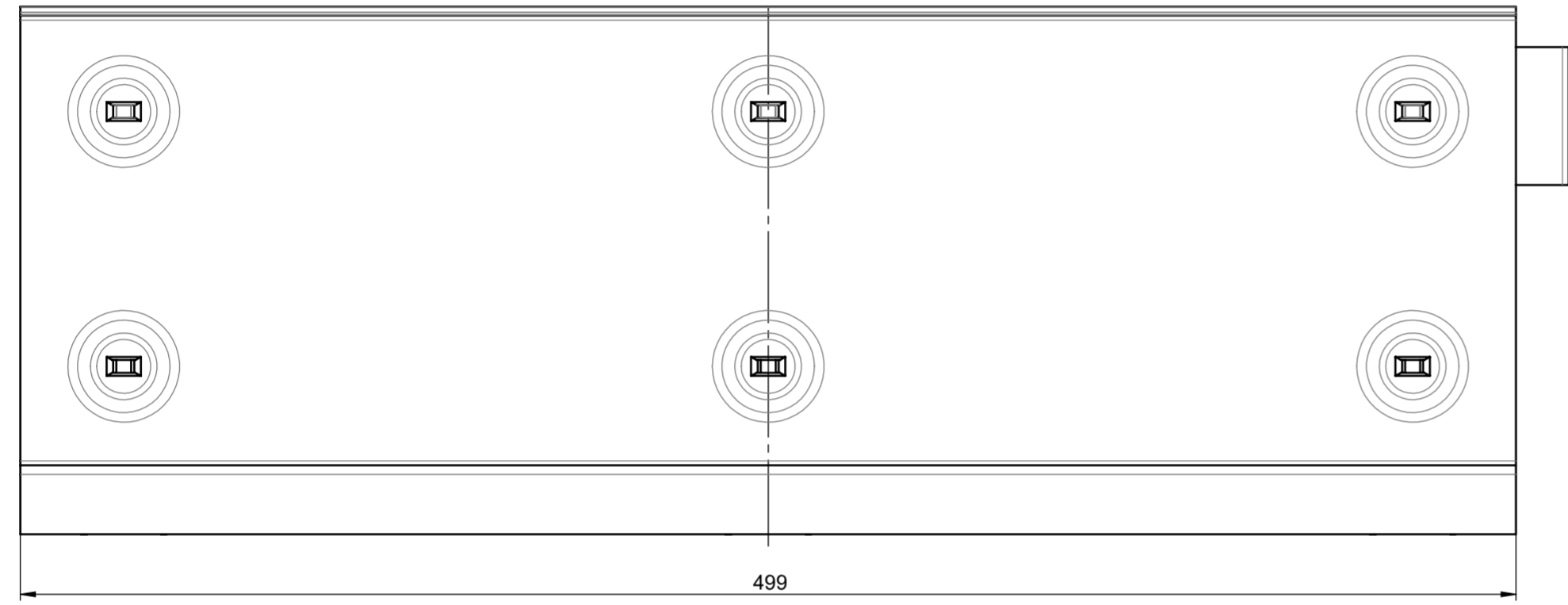
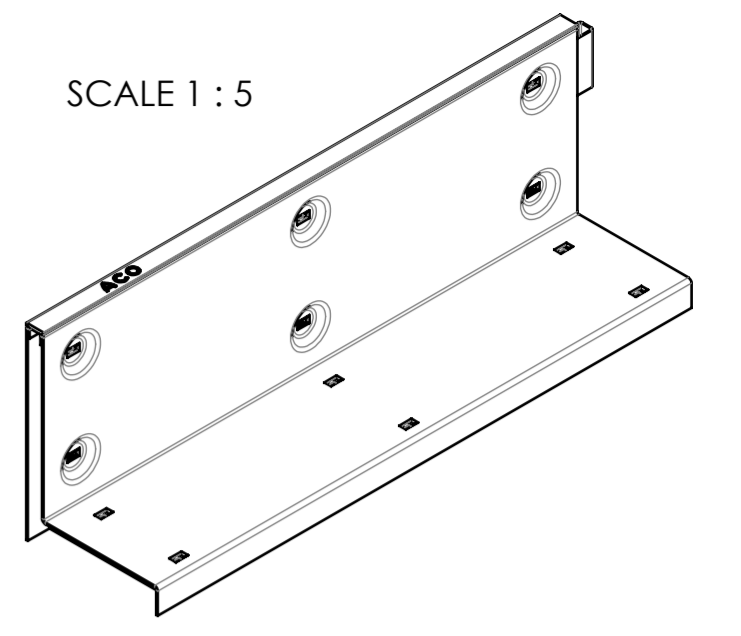




1 2 3 4 5 6 7 8 9 10 11 12

A
B
C
D
E
F
G
H

SCALE 1 : 5



local article number: 445933

 ACO Severin Ahlmann GmbH & Co. KG 24755 Rendsburg, Postfach 320 Tel. +49 4331 354-0 Email: development@aco.com www.aco.com	drawing-no.: 1048548-M	index: 003	documenttype: marketing drw.
	created by: rbhatia	reviewed by: rbhatia	projection: ISO-E 

title:
ACO SlotTop
 SlotTop V100 H150 C250 single slot 10mm L0.5m, galvanized steel
 Schlitzrahmen V100 H150 C250 Einzelschlitz 10mm L0.5m, verzinkter Stahl

serial-released

The reproduction, distribution and utilization of this document as well as the communication of its contents to others without express authorization is prohibited. Offenders will be held liable for the payment of damages. All rights reserved in the event of the grant of a patent, utility model or design. Observe copyright by ISO 16016

release date:
 2018-06-26 13:13

sheet:
 1/1

1 2 3 4 5 6 7 8 9 10 11 12