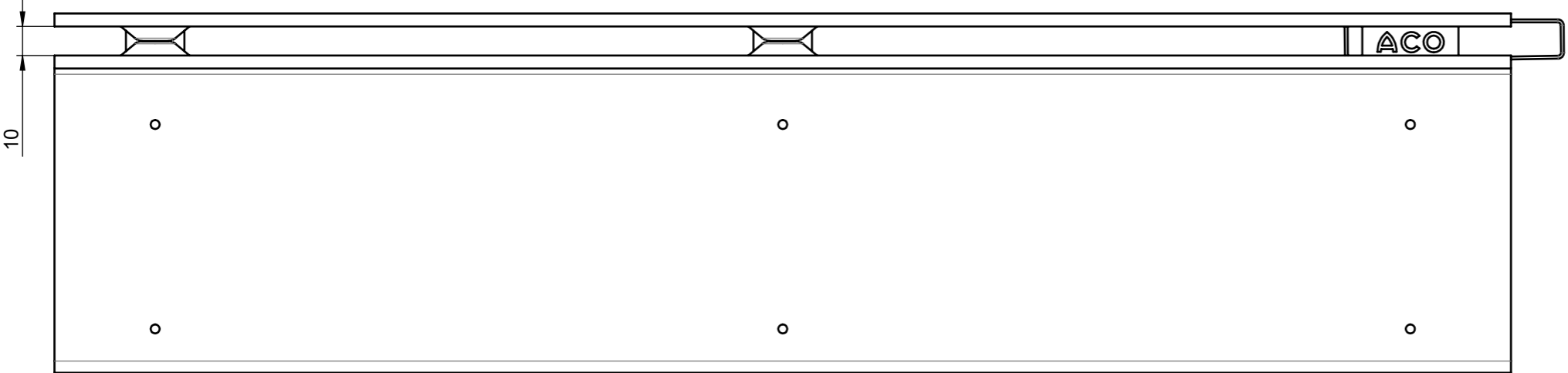
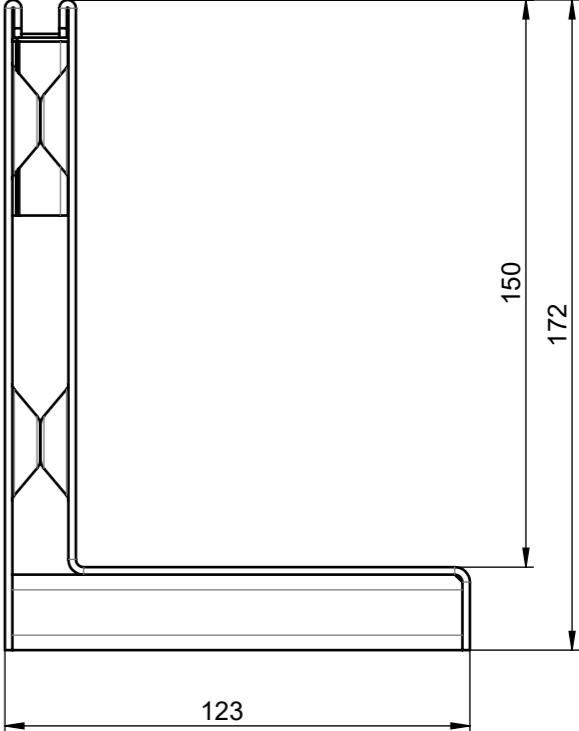
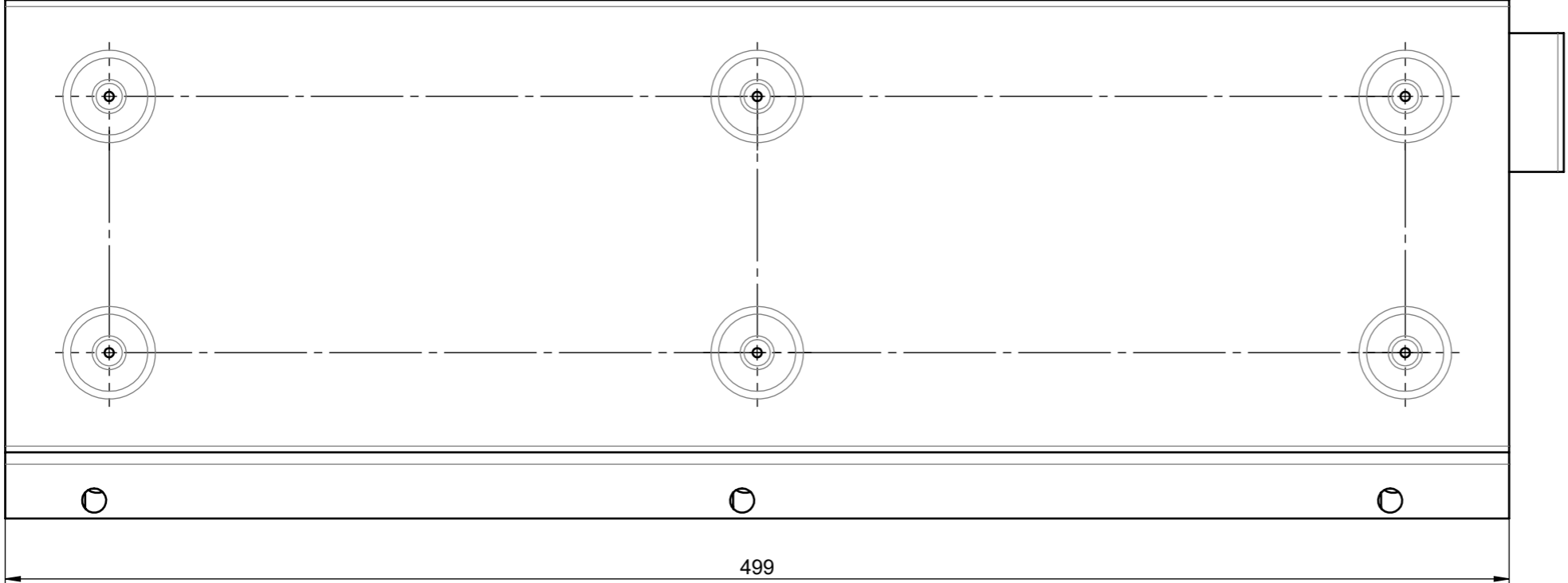
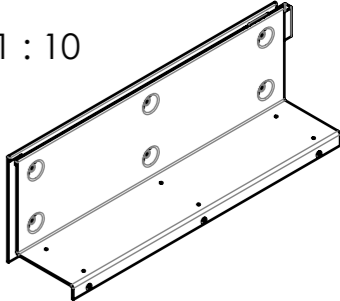
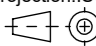


SCALE 1 : 10



local article number: 446022

|   |                                  |                                |   |
|---|----------------------------------|--------------------------------|---|
|  ACO Severin Ahlmann<br>GmbH & Co. KG<br>24755 Rendsburg, Postfach 320<br>Tel. +49 4331 354-0<br>Email: development@aco.com<br>www.aco.com   | drawing-no.:<br><b>1058261-M</b> | index:<br><b>001</b>           | documenttype:<br><b>marketing drw.</b>  |
|   | created by:<br><b>rbhatia</b>    | reviewed by:<br><b>rbhatia</b> | projection:ISO-E<br> |
| title:<br><b>ACO SlotTop</b><br><b>SlotTop V100 H150 D400 single slot 10mm L0.5m, Galvanized Steel</b><br><b>Schlitzrahmen V100 H150 D400 Einzelschlit 10mm L0.5m, Verzinkter Stahl</b>   |                                  |                                | <b>serial-released</b>  |
| <small>The reproduction, distribution and utilization of this document as well as the communication of its contents to others without express authorization is prohibited. Offenders will be held liable for the payment of damages. All rights reserved in the event of the grant of a patent, utility model or design. Observe copyright by ISO 16016</small> |                                  |                                | release date:<br><b>2018-06-27 14:20</b>  |
|   |                                  |                                | sheet:<br><b>1/1</b>  |