

1 2 3 4 5 6 7 8 9 10 11 12

A

B

C

D

E

F

G

H

A

B

C

D

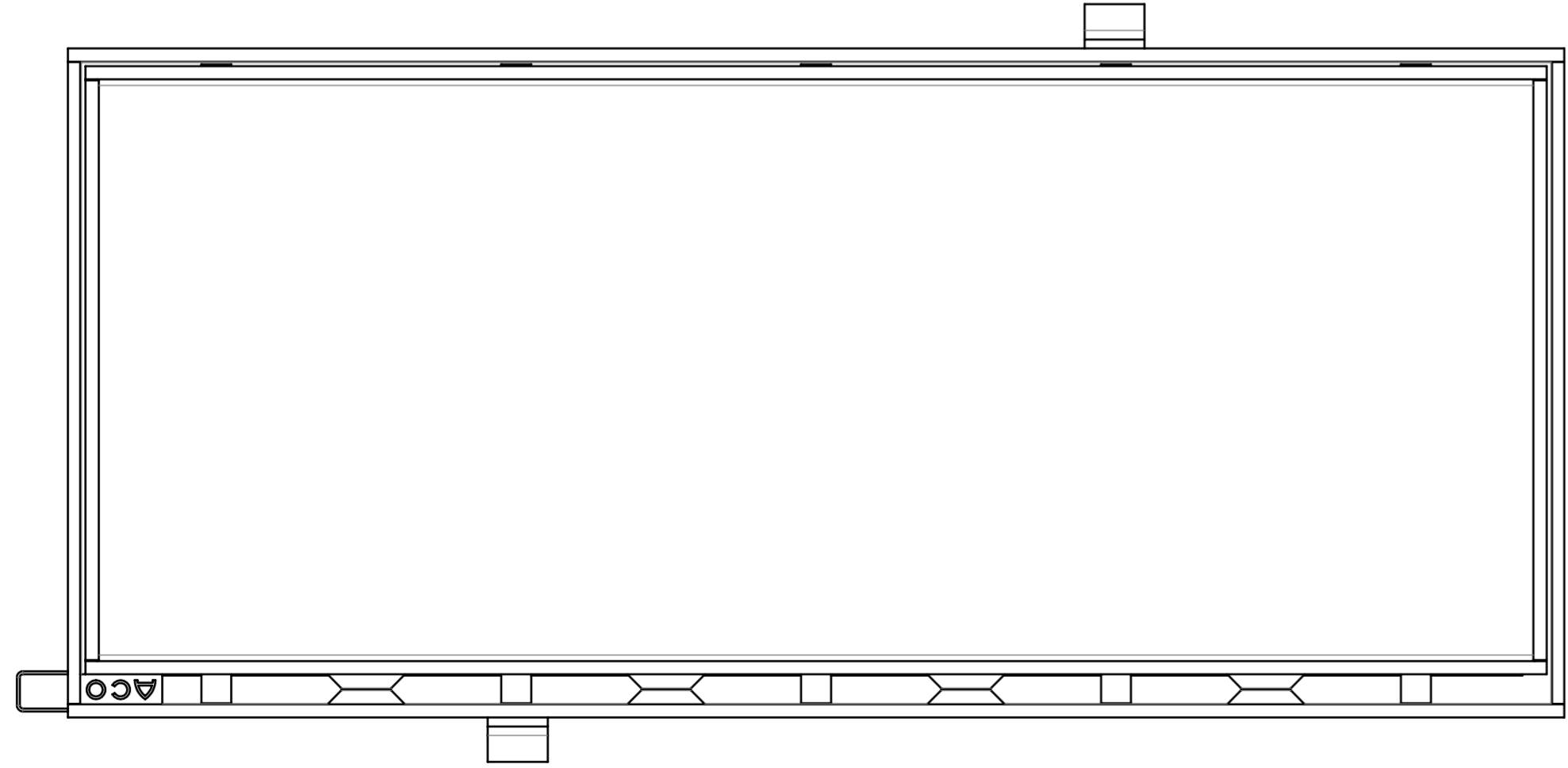
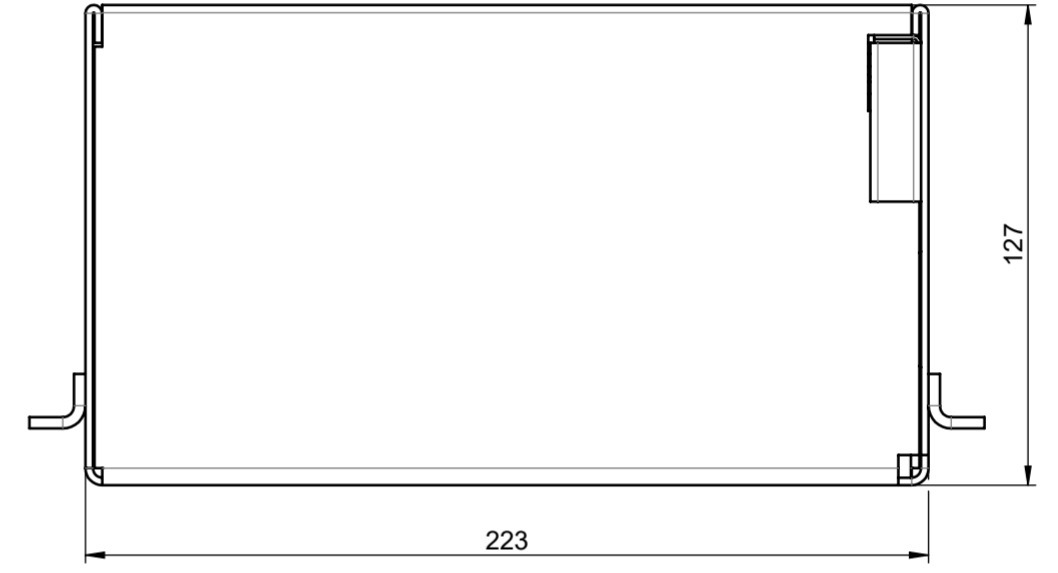
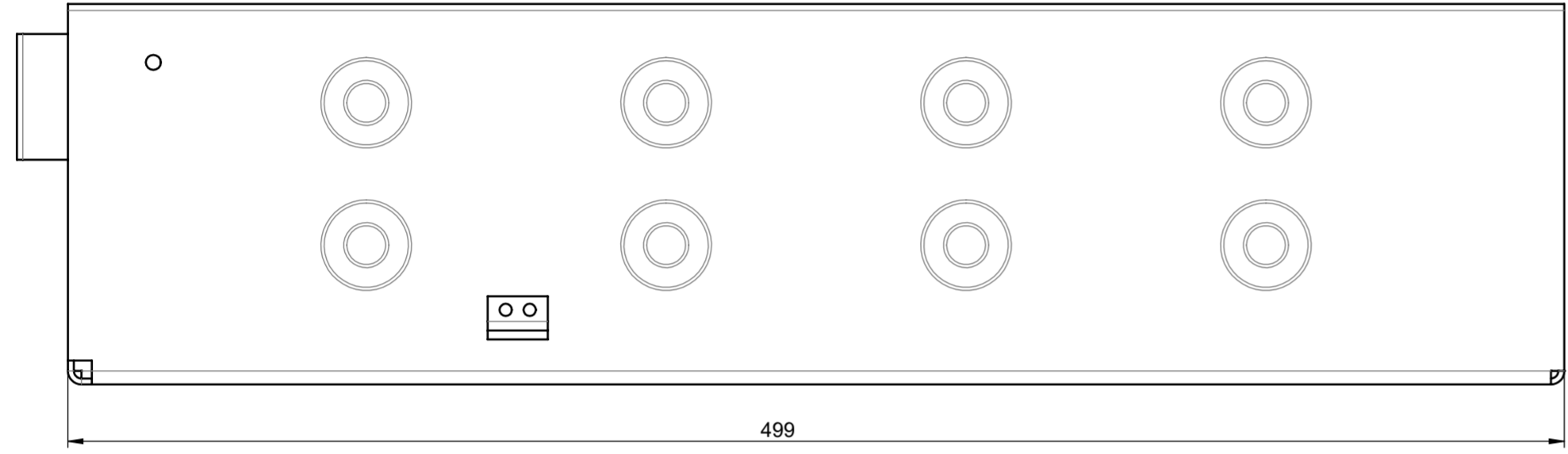
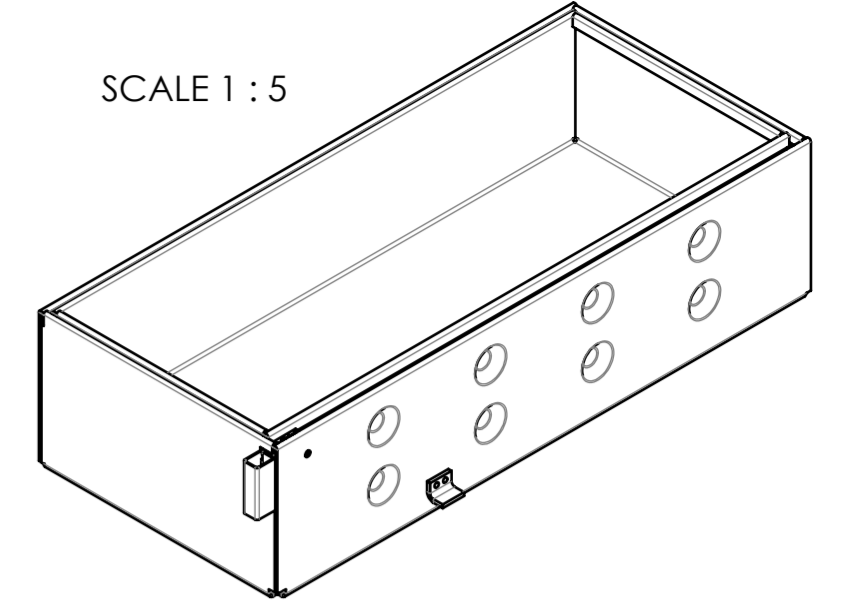
E

F

G

H

SCALE 1 : 5



local article number: 446041

ACO
ACO Severin Ahlmann
GmbH & Co. KG
24755 Rendsburg, Postfach 320
Tel. +49 4331 354-0
Email: development@aco.com
www.aco.com

created by:
rbhatia

drawing-no.:
1063487-M
reviewed by:
rbhatia

index:
001
documenttype:
marketing drw.
projection:ISO-E
scale:
1:2

title:
ACO SlotTop
SlotTop AU V200 H105 D400 single slot 10mm L0.5m, Galvanized steel
Schlitzrahmen AU V200 H105 D400 Einzelschlitzz 10mm L0.5m, Verzinkter Stahl

serial-released

The reproduction, distribution and utilization of this document as well as the communication of its contents to others without express authorization is prohibited. Offenders will be held liable for the payment of damages. All rights reserved in the event of the grant of a patent, utility model or design. Observe copyright by ISO 16016

release date:
2018-06-27 11:41
sheet:
1/1

1 2 3 4 5 6 7 8 9 10 11 12