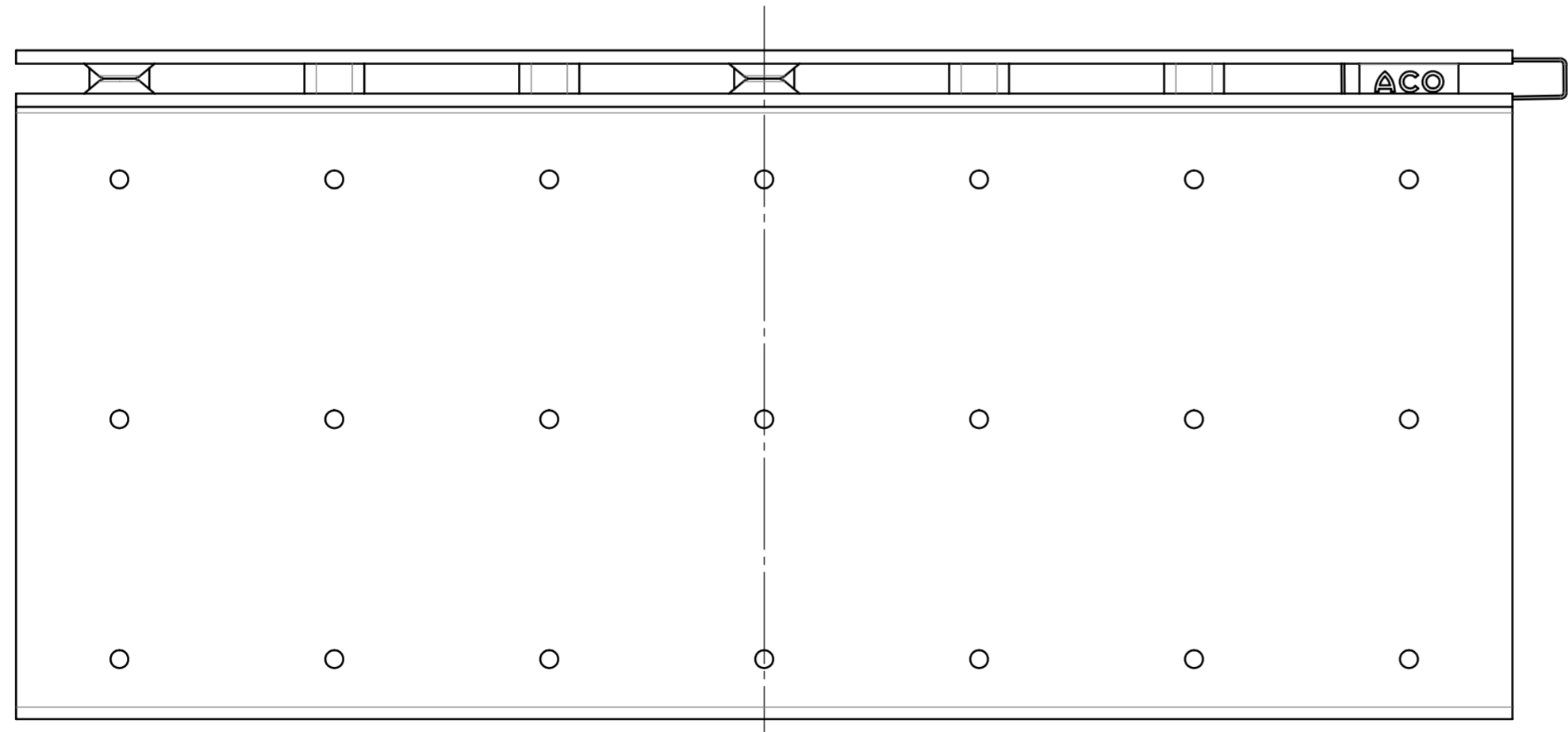
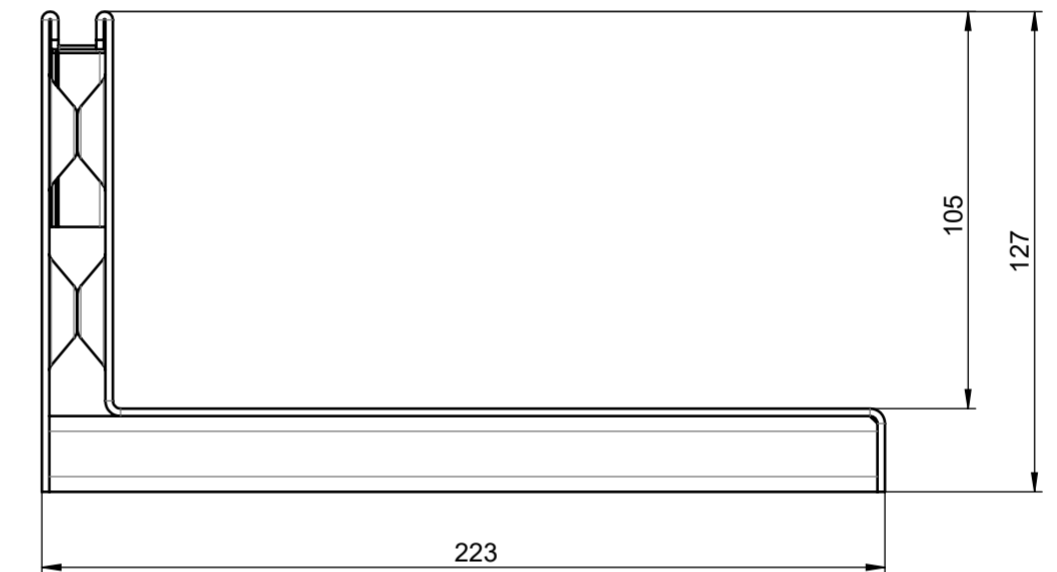
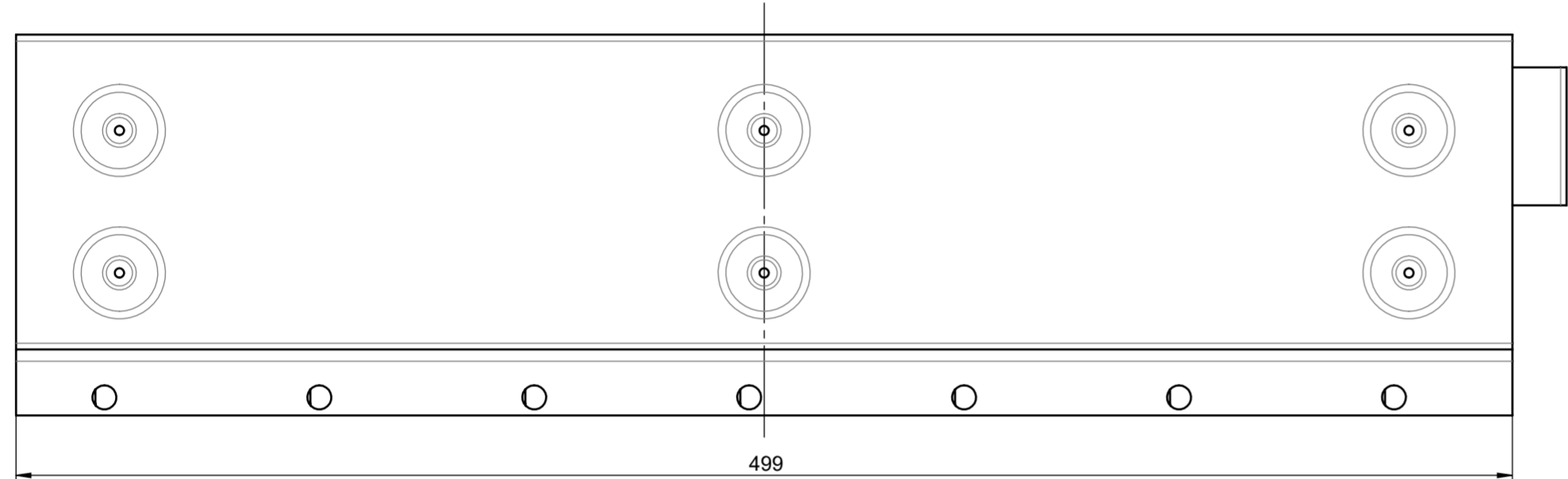
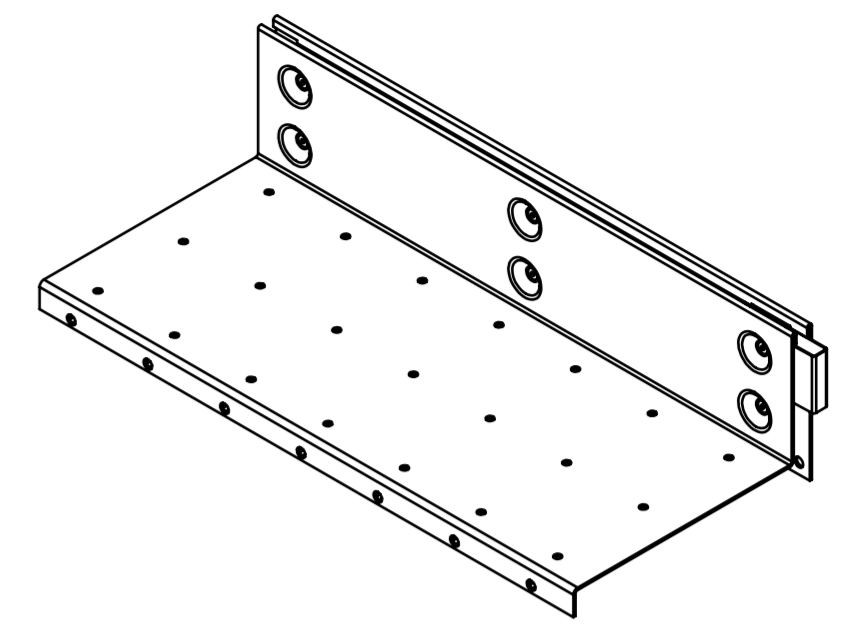




1 2 3 4 5 6 7 8 9 10 11 12

A
B
C
D
E
F
G
H

SCALE 1 : 5



local article number: 446043

	ACO Severin Ahlmann GmbH & Co. KG 24755 Rendsburg, Postfach 320 Tel. +49 4331 354-0 Email: development@aco.com www.aco.com	drawing-no.:	index:	documenttype:
		1063468-M	001	marketing drw.
created by:		reviewed by:	projection:ISO-E	scale:
rbhatia		rbhatia		1:2

title: **serial-released**
 ACO SlotTop
 SlotTop V200 H105 D400 single slot 10mm L0.5m, Stainless Steel
 Schlitzrahmen V200 H105 D400 Einzelschlit 10mm L0.5m, Edelstahl

The reproduction, distribution and utilization of this document as well as the communication of its contents to others without express authorization is prohibited. Offenders will be held liable for the payment of damages. All rights reserved in the event of the grant of a patent, utility model or design. Observe copyright by ISO 16016

release date: 2018-06-27 11:34 sheet: 1/1

1 2 3 4 5 6 7 8 9 10 11 12