

1 2 3 4 5 6 7 8 9 10 11 12

A

B

C

D

E

F

G

H

A

B

C

D

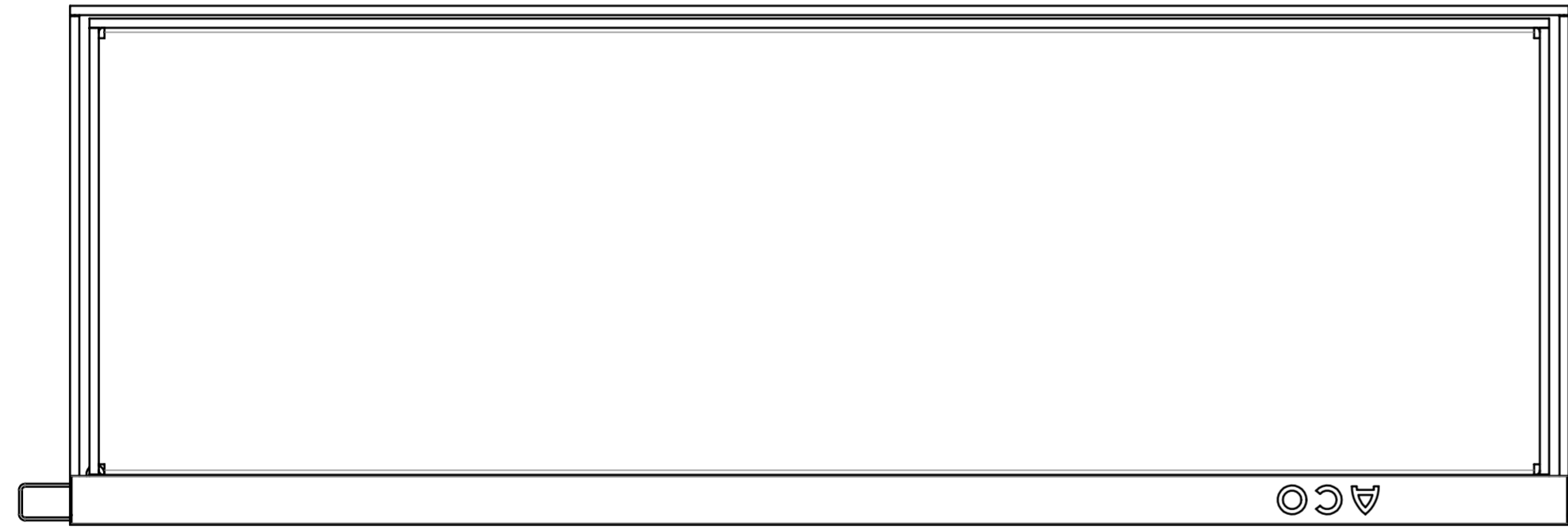
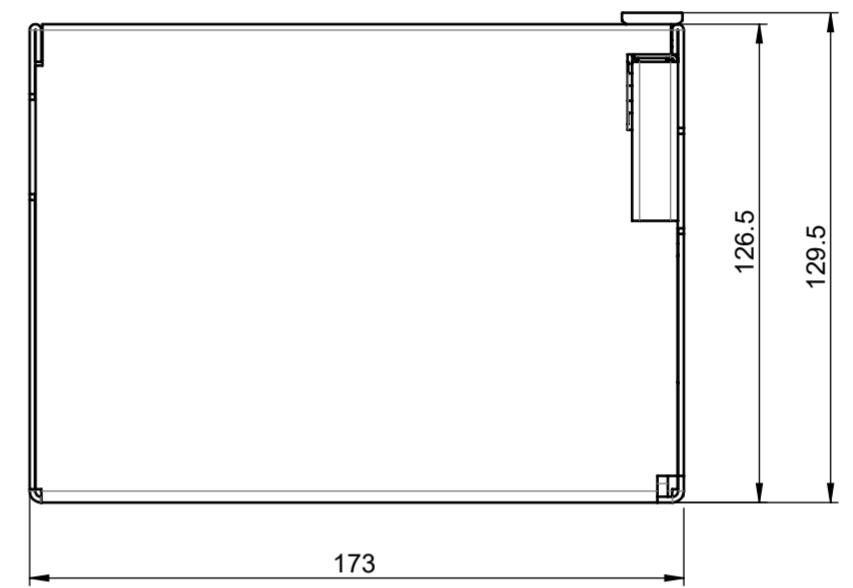
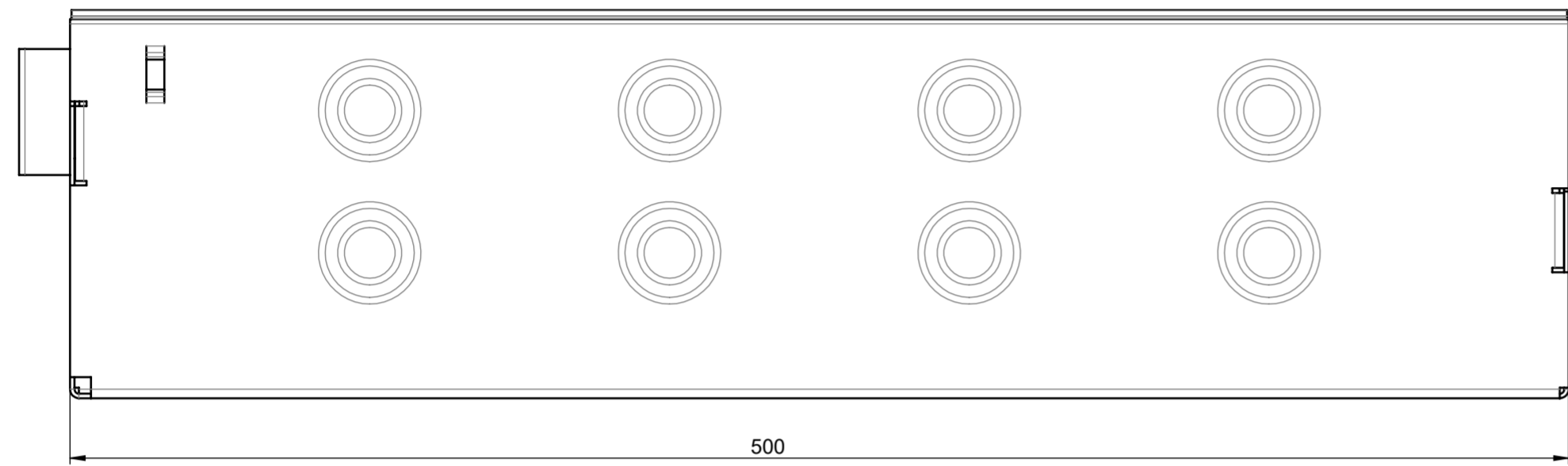
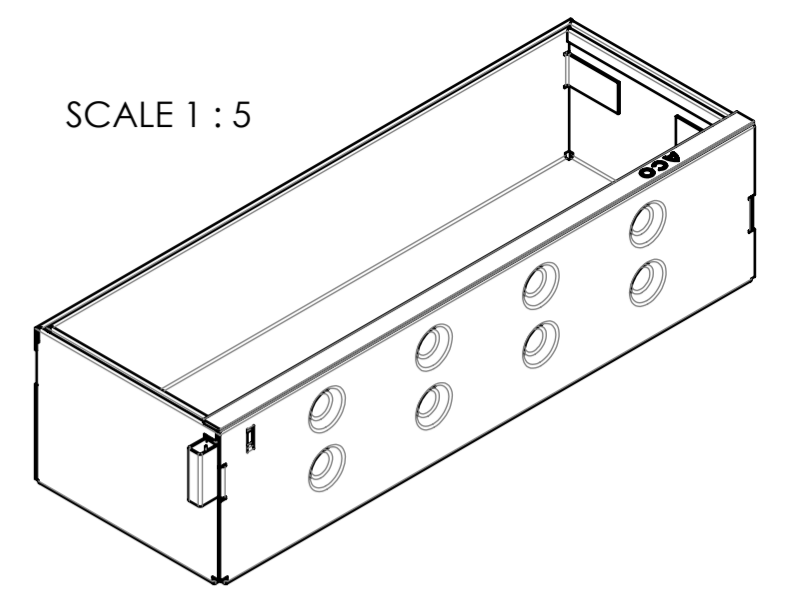
E

F

G

H

SCALE 1 : 5



local article number: 446130

	ACO Severin Ahlmann GmbH & Co. KG 24755 Rendsburg, Postfach 320 Tel. +49 4331 354-0 Email: development@aco.com www.aco.com	created by:	drawing-no.:	index:	documenttype:
		rbhatia	1052785-M	002	marketing drw.
title:			reviewed by:	projection:ISO-E	scale:
ACO SlotTop			rbhatia		1:2
SlotTop AU V150 H105 C250 single slot 10mm L0.5m, Galvanized steel			serial-released		
Schlitzrahmen AU V150 H105 C250 Einzelschlit 10mm L0.5m, Verzinkter Stahl					
The reproduction, distribution and utilization of this document as well as the communication of its contents to others without express authorization is prohibited. Offenders will be held liable for the payment of damages. All rights reserved in the event of the grant of a patent, utility model or design. Observe copyright by ISO 16016				release date:	sheet:
				2018-06-26 13:43	1/1

1 2 3 4 5 6 7 8 9 10 11 12