
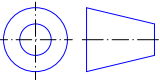


Material		Mass		 <b>ACO Industries Tábor s.r.o.</b> Průmyslová 1158    Tel.: +420 381 474 600 391 01 Sezimovo Ústí www.aco-industries.cz    www.aco.com
Tolerance PP_TA_PLASTY012 PP_TA_GRP015		Tolerance for welding		
	Date	Name	Scale	Projection: ISO-E  The reproduction, distribution and utilization of this document as well as the communication of its contents to others without express authorization is prohibited.
Created by	03.11.2022	mspoerk	<b>1 : 16</b>	
Reviewed by				
Update				
Stormclean TF G			Drawing NO.	Index
			List:2 /2	A3