
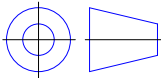


Material			Mass		 ACO Industries Tábor s.r.o. Průmyslová 1158 Tel.: 381474600 391 02 Sezimovo Ústí Fax: 381632550 www.aco-industries.cz
Tolerance TKV_06: PE/PP/PVC/PVDF TKV_03: GRP			Tolerance for welding		
	Date	Name	Scale	Projection: ISO-E 	The reproduction, distribution and utilization of this document as well as the communication of its contents to others without express authorization is prohibited.
Created by	2024-03-14	mspoerk	1 : 20		
Reviewed by					
Update					
Lipumax G				Drawing NO.	Index
				List:1 / 1	A3