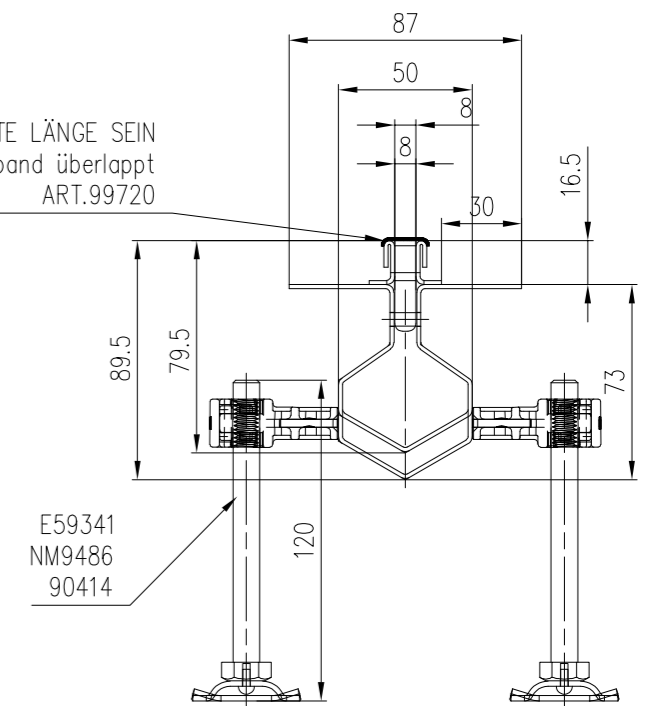
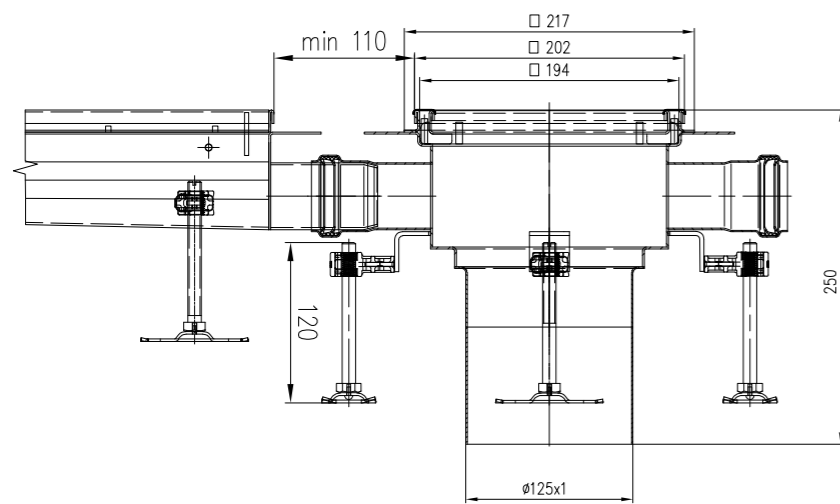


Channel profil M(1:2)

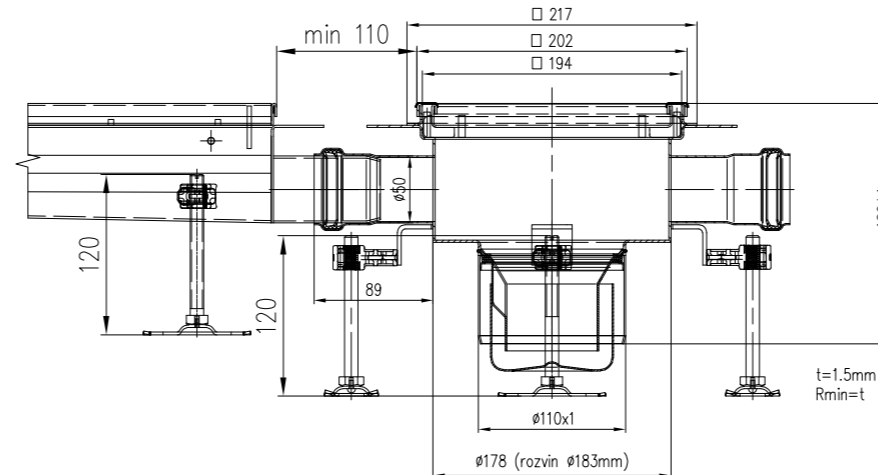
DER SLOT MUSS GESAMTE LÄNGE SEIN
Mit rotem Klebeband überlappt
ART.99720



With vertical $\phi 125$
Art. Nr. Z389988



With vertical $\phi 110$
Art. Nr. Z389989



E59341
NM9486
90414

Material	Tolerance ISO 2768 - 1m - 2L	Tolerance for welding EN ISO 13920 - AE	Mass kg
ACO Industries k.s. Havlíčkova 280 582 22 Pílyšar, CZ TEL: +420 569 481 111 www.aco.com www.aco-industries.cz	Drawing NO.	Index Article	Surface finish
Created by	Reviewed by	Projection ISO-E	Scale 1:4

Title
Template - Slot Channel W508, drainage holes

The reproduction, distribution and utilization of this document as well as the communication of its contents to others without express authorization is prohibited. Offenders will be held liable for the payment of damages. All rights reserved in the event of the grant of a patent, utility model or design. Observe copyright by ISO 16016	Created date 11.05.2021	Release date	A2
--	----------------------------	--------------	----